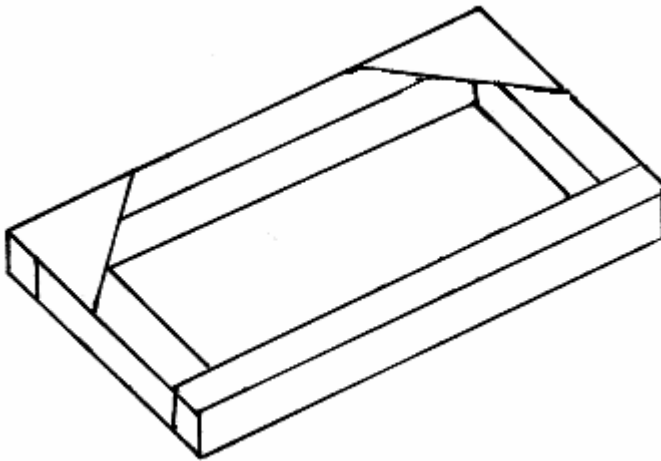


Notes for construction of the Pneumatic Lifter 83-5432-SK

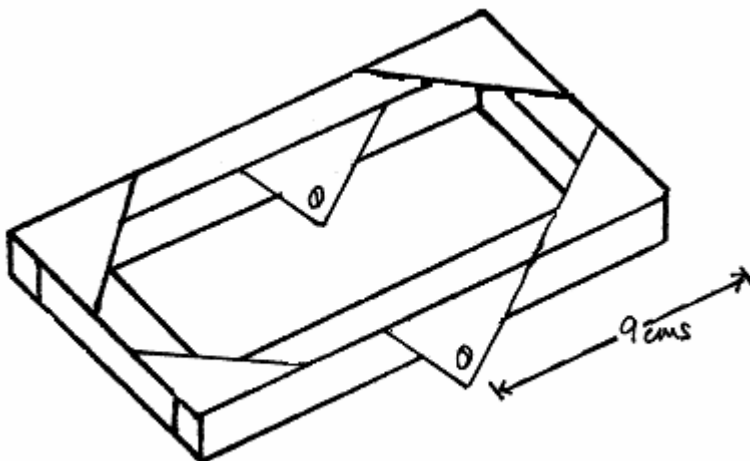
Kit contains:

- 12 X 20cm basswood strips (10mm X 10mm) (83-BW10105)
- 2 sheets of green cardboard corners or gussets (83-1707-00)
- 2 X 12cm dowel (3/16") (83-2003-2)
- 10 mini-washers (19-20-555)
- 1 syringe mounting clip (70-32-063)
- 10 cardboard axle holders (19-20-557)
- 1 X 25cm plastic tubing (6mm) (83-5005-00)
- 2 X 20cc plastic syringes (83-5020-00)



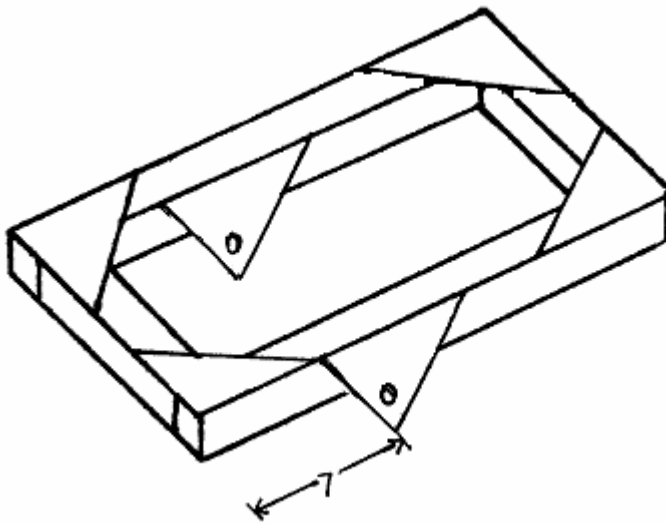
Required:
3 rectangles with gusset corners, each 20cm by 10cm

Materials for each rectangle:
2 pieces 20cm long
2 pieces 8cm long
8 cardboard corners



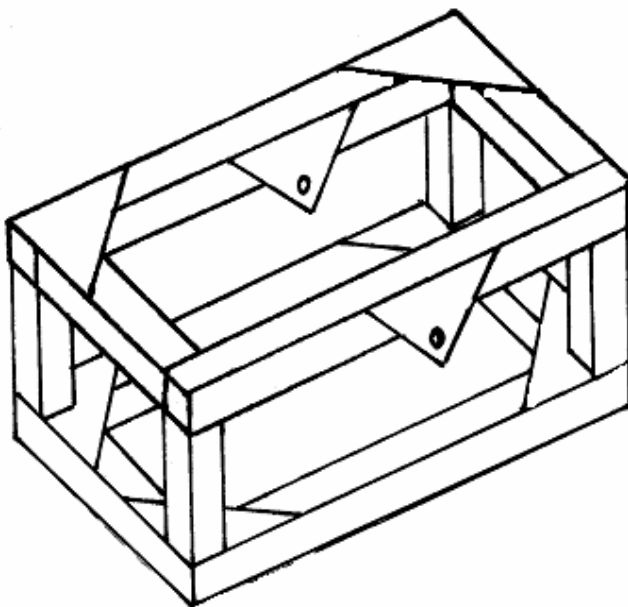
Required:
4 axle holders placed 9cm from one end of one of the rectangles

Materials:
4 axle holders with 5mm holes



Required:
4 axle holders placed 7cm from one end of one of the other rectangles on both sides of the long side

Materials:
4 axle holders with 5mm holes



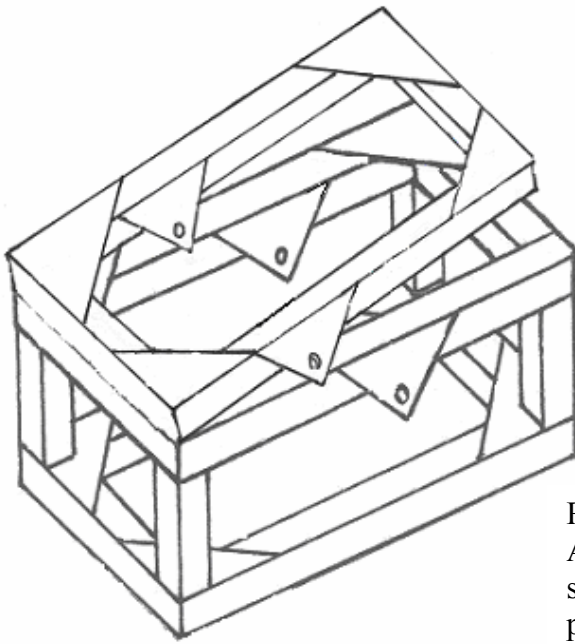
Required:
A 3-dimensional structure made from connecting the unused rectangle to the rectangle with axle holders 9cm from one end.

Materials:
4 pieces each 4cm long
16 cardboard corners



Required:
A structure to hold a syringe

Materials:
3 pieces 3.5 cm long
2 axle holders, trimmed when glued
1 grey mounting clip



Required:
The rectangle with axle holders
7cm from one end, connected to the
cuboid using a hinge

Materials:
1 cardboard hinge 2cm by 10cm

Required:
A lifter completed by adding the axles and the
syringes. One axle goes through a hole drilled in the
plunger of the actuating syringe; that syringe is then
mounted on the small platform held by the other axle
Materials:
2 20ml syringes with tubing
2 lengths of dowelling each 12 cm long
10 mini washers

